

Year 5 Spring 2 Maths Activity Mat 1

Section 1

Order the following numbers from smallest to largest.

2929	2299	2292	2992
------	------	------	------

--	--	--	--

Section 2

Three classes of children collect some money for Comic Relief. The total collected was £205. Two of the classes collected £76 and £68. How much did the third class collect?

Section 3

A teacher wants to arrange 32 children into equal groups. Explain how the teacher may do this.

- ___ groups of ___ children
- ___ groups of ___ children
- ___ groups of ___ children
- ___ groups of ___ children
- ___ groups of ___ children
- ___ groups of ___ child

Section 4

Convert the improper fractions into mixed fractions.

$$\frac{7}{2} \longrightarrow \square$$
$$\frac{4}{3} \longrightarrow \square$$
$$\frac{9}{5} \longrightarrow \square$$

Section 5

Write the decimal fraction that is equivalent to the fraction.

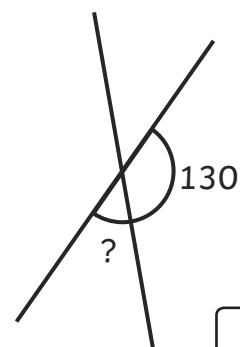
$\frac{1}{2}$	
$\frac{1}{4}$	
$\frac{1}{10}$	

Section 6

Draw a square with a perimeter of 20cm (not to scale). Write the length of the side.

Section 7

Calculate the missing angle:



Section 8

Estimate the weight of a can of coke.



Year 5 Spring 2 Maths Activity Mat 1 Answers

Section 1

Order the following numbers from smallest to largest.

2929	2299	2292	2992
------	------	------	------

2292	2299	2929	2992
------	------	------	------

Section 2

Three classes of children collect some money for Comic Relief. The total collected was £205. Two of the classes collected £76 and £68. How much did the third class collect?

£61

Section 3

A teacher wants to arrange 32 children into equal groups. Explain how the teacher may do this.

- 1 groups of 32 children
- 2 groups of 16 children
- 4 groups of 8 children
- 8 groups of 4 children
- 16 groups of 2 children
- 32 groups of 1 child

Section 4

Convert the improper fractions into mixed fractions.

$$\frac{7}{2} \longrightarrow 3\frac{1}{2}$$

$$\frac{4}{3} \longrightarrow 1\frac{1}{3}$$

$$\frac{9}{5} \longrightarrow 1\frac{4}{5}$$

Section 5

Write the decimal fraction that is equivalent to the fraction.

$\frac{1}{2}$	0.5
$\frac{1}{4}$	0.25
$\frac{1}{10}$	0.1

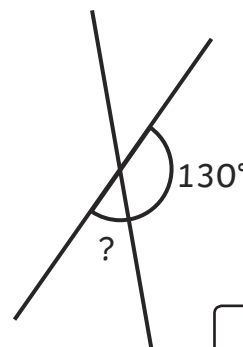
Section 6

Draw a square with a perimeter of 20cm (not to scale). Write the length of the side.

5cm x 5cm

Section 7

Calculate the missing angle:



50°

Section 8

Estimate the weight of a can of coke.

250g-400g

Year 5 Spring 2 Maths Activity Mat 1

Section 1

Order the following numbers from smallest to largest.

57 757	55 757	55 557	55 775	57 755
--------	--------	--------	--------	--------

--	--	--	--	--

Section 2

A school raises £456.24 for Comic Relief; £145.09 was raised from dressing up, £178.53 from a talent show and the rest from a bake sale. How much money was raised by the bake sale?

Section 3

A teacher wants to arrange 42 children into equal groups. Explain how the teacher may do this.

- ___ groups of ___ children
- ___ groups of ___ children
- ___ groups of ___ children
- ___ groups of ___ children
- ___ groups of ___ children
- ___ groups of ___ child

Section 4

Convert the improper fractions into mixed fractions.

$\frac{12}{5}$	→	<input type="text"/>
$\frac{13}{6}$	→	<input type="text"/>
$\frac{15}{4}$	→	<input type="text"/>

Section 5

Write the decimal fraction that is equivalent to the fraction.

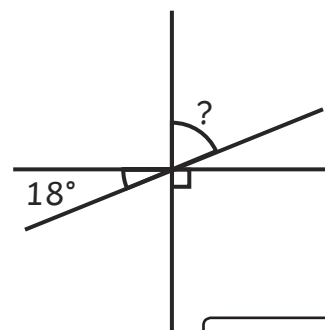
$\frac{1}{4}$	
$\frac{1}{8}$	
$\frac{1}{20}$	

Section 6

Draw a rectilinear shape with a perimeter of 36cm (not to scale). Write the length of all the sides. The shape must not be a simple rectangle.

Section 7

Calculate the missing angle:



Section 8

Estimate how many cans of coke it will take to weigh 1kg.



Year 5 Spring 2 Maths Activity Mat 1 Answers

Section 1

Order the following numbers from smallest to largest.

57 757	55 757	55 557	55 775	57 755
--------	--------	--------	--------	--------

55 557	55 757	55 775	57 755	57 757
--------	--------	--------	--------	--------

Section 2

A school raises £456.24 for Comic Relief; £145.09 was raised from dressing up, £178.53 from a talent show and the rest from a bake sale. How much money was raised by the bake sale?

£132.62

Section 3

Possible answers:

- 1 groups of 42 children
- 2 groups of 21 children
- 3 groups of 14 children
- 6 groups of 7 children
- 7 groups of 6 children
- 14 groups of 3 children
- 21 groups of 2 children
- 42 groups of 1 child

Section 4

Convert the improper fractions into mixed fractions.

$$\frac{12}{5} \longrightarrow 2\frac{2}{5}$$

$$\frac{13}{6} \longrightarrow 2\frac{1}{6}$$

$$\frac{15}{4} \longrightarrow 3\frac{3}{4}$$

Section 5

Write the decimal fraction that is equivalent to the fraction.

$\frac{1}{4}$	0.25
$\frac{1}{8}$	0.125
$\frac{1}{20}$	0.05

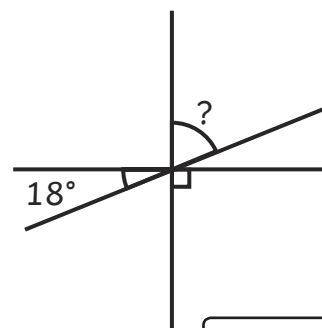
Section 6

Draw a rectilinear shape with a perimeter of 36cm (not to scale). Write the length of all the sides. The shape must not be a simple rectangle.

Various answers

Section 7

Calculate the missing angle:



72°

Section 8

Estimate how many cans of coke it will take to weigh 1kg.

three cans

Year 5 Spring 2 Maths Activity Mat 1

Section 1

Order the following numbers from smallest to largest, writing them in numerals:

- eighty-nine thousand, nine hundred and ninety-eight
- ninety-eight thousand, eight hundred and ninety-nine
- eighty-nine thousand, eight hundred and ninety-eight

--	--	--

Section 2

A charity gives £116 892 to three projects. One project receives £32 494, another £51 826. How much would the third project receive?

Section 3

A teacher wants to arrange 72 children into equal groups. Explain how the teacher may do this.

Section 4

Complete the mixed fractions and improper fractions so each pair is equivalent.

$$\frac{7}{(\quad)} \longrightarrow 2\frac{1}{(\quad)}$$

$$\frac{11}{(\quad)} \longrightarrow 2\frac{1}{(\quad)}$$

$$\frac{21}{(\quad)} \longrightarrow 5\frac{1}{(\quad)}$$

Section 5

Write the decimal fraction that is equivalent to the fraction.

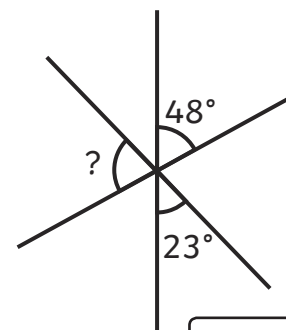
$\frac{1}{3}$	
$\frac{1}{25}$	
$\frac{1}{200}$	

Section 6

Draw a rectilinear octagon with a perimeter of 56cm (not to scale). Write all the necessary measurements.

Section 7

Calculate the missing angle:



Section 8

Estimate the weight of the six cans of coke.



Year 5 Spring 2 Maths Activity Mat 1 Answers

Section 1

Order the following numbers from smallest to largest, writing them in numerals:

- eighty-nine thousand, nine hundred and ninety-eight
- ninety-eight thousand, eight hundred and ninety-nine
- eighty-nine thousand, eight hundred and ninety-eight

89 898

89 998

98 899

Section 2

A charity gives £116 892 to three projects. One project receives £32 494, another £51 826. How much would the third project receive?

£32 572

Section 3

Possible answers:

1 group of 72 children,

2 - 36, 12 - 6

3 - 24, 18 - 4,

4 - 18, 24 - 3,

6 - 12, 36 - 2,

8 - 9 72 - 1.

9 - 8

Section 4

Complete the mixed fractions and improper fractions so each pair is equivalent.

$$\frac{7}{3} \longrightarrow 2\frac{1}{3}$$

$$\frac{11}{5} \longrightarrow 2\frac{1}{5}$$

$$\frac{21}{4} \longrightarrow 5\frac{1}{4}$$

Section 5

Write the decimal fraction that is equivalent to the fraction.

$\frac{1}{3}$	0.33
$\frac{1}{25}$	0.04
$\frac{1}{200}$	0.005

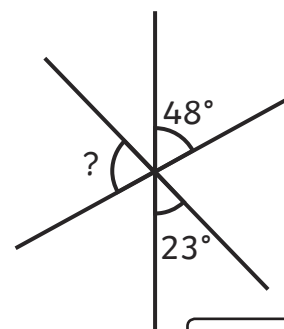
Section 6

Draw a rectilinear octagon with a perimeter of 56cm (not to scale). Write all the necessary measurements.

Various answers

Section 7

Calculate the missing angle:



109°

Section 8

Estimate the weight of the six cans of coke.

2kg